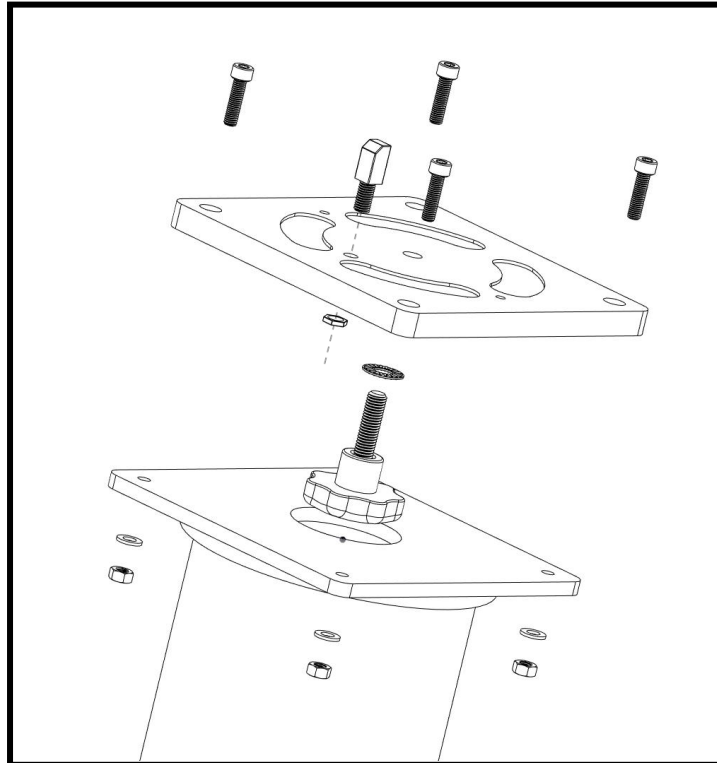


Astroworx EQ8 pier adapter plate: installation instructions



Thank you for purchasing the Astroworx EQ8 pier adapter plate. This plate was designed and made in Australia to high quality specifications.

This pier adapter plate is intended for EQ8, EQ8-R and EQ8-RH mounts and similar. It is not intended for smaller mounts (such as NEQ6 or HEQ5).

The pier adapter plate is also intended for either the Astroworx or iOptron permanent pier, and the iOptron Tri-Pier 360.

Package contents:

- Pier plate
- Azimuth adjustment post and locking nut
- Centre locking bolt
- Flat bearing
- 4 x M8 plate attachment bolts, washer, nut

Installation instructions

Step 1: Install the azimuth adjustment post

Remove the locking nut from the azimuth adjustment post. Screw the azimuth adjustment post into the M10 hole provided in the pier adapter plate until it is fully inserted. Next, unscrew the post until the chamfer faces the outside of the plate (as in the diagram). Using a spanner to hold the post in this orientation, place the locking nut on the end of the thread and tighten against the back of the pier adapter plate to lock.

Step 2: Attach the pier adapter plate to the EQ8 mount

Place the flat bearing onto the centre locking bolt. Place the pier adapter plate on the bottom of the mount with the azimuth adjustment post through the slot in the bottom of the EQ8 and between the azimuth adjustment bolts on the mount. Thread the centre locking bolt through the bottom of the pier adapter plate into the M12 hole in the mount. Fully tighten the mount attachment bolt. The flat bearing and the Delrin inserts allow the mount to rotate in azimuth during polar alignment.

Step 3: Bolt the pier adapter plate and mount to the pier top.

Position the adapter plate and attached mount on the top of the pier (not included) so that the counterweight is on the south of the pier in the Southern Hemisphere (or north of the pier in the Northern Hemisphere). Bolt the adapter plate to the pier using the four M8 cap head bolts. The bolt is inserted at the top, with a washer and nut threaded on from below. (Note that washers and nuts are not required for the iOptron Tri-Per 360.) The centre locking bolt will fit through the large hole in the pier top.

Astroworx is a brand of Sidereal Trading Pty Ltd
© Sidereal Trading Pty Ltd

ASTROWORX